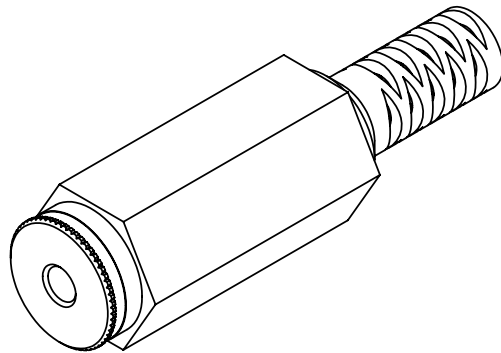
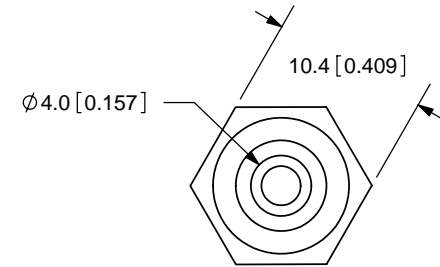
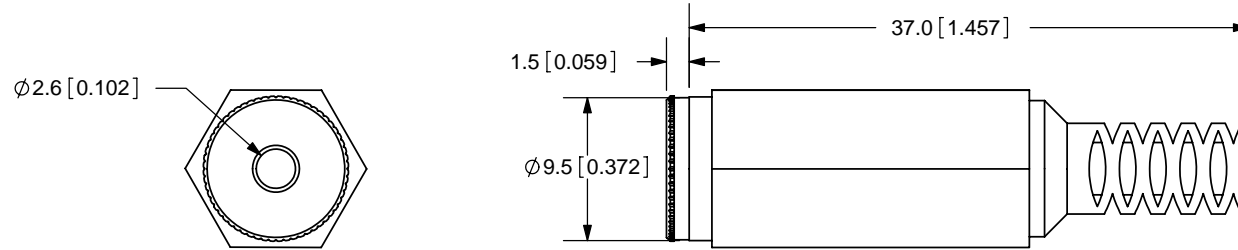


REV.	DESCRIPTION	DATE
A	NEW DRAWING	9/6/2006
B	Added schematic	12/5/2006



TOLERANCE:
±0.3mm UNLESS OTHERWISE
SPECIFIED



SPECIFICATIONS:
 CONTACT RESISTANCE: 50m OHMS MAX
 INSULATION RESISTANCE: 100M OHMS MIN: 500V DC
 VOLTAGE WITHSTAND: 500V AC R.M.S. FOR 1 MINUTE
 LIFE: 5,000 CYCLES

MODEL NO.	MR-2501
SCHEMATIC	

	MATERIAL	PLATING
SLEEVE	Brass	Nickel
TERMINAL	Brass	Nickel
SPRING	Phosphor Bronze	Nickel
CAP	PA	
BODY	PBT	



20050 SW 112th Ave.
 Tualatin, OR 97062
 Phone: 503-643-4899
 800-275-4899
 Fax: 503-372-1266
 Website: www.cui.com

TITLE:	IN-LINE MONO JACK	REV:	B
PART NO.	MR-2501	UNITS:	MM [INCHES]
DRAWN BY:	ZRJ	APPROVED BY:	
		SCALE:	2:1

PC FILE NAME:
MR-2501

COPYRIGHT 2006 BY CUI INC.